

=====
QUOTE INFORMATION: 12/14/04
=====
Quote Id:
Purchaser:
Project:

=====
SteelBuildingSupplier.com
225 S Academy Blvd Ste 201
Colorado Springs, CO 80910-2768
(800) 793-8555
Contact:
=====

Customer Info:

=====
BUILDING TYPE
=====

Commercial Rigid Frame Steel

=====
PRICING
=====

Building Components \$ Included
Building Freight \$ Included
Door Freight \$ Included
Insulation Freight \$ Included
Detail/Draft Fee \$ Included
Stamped Plan Sets (1) \$ Included

=====
BUILDING LOCATION
=====

NV 89060

=====
BUILDING DESIGN SPECIFICATIONS
=====

----- Dimensions ----- Loading -----
Width(ft): 40 Wind Code: UBC 97 Exposure: B
Length(ft): 80 Wind (mph): 80 Importance: 1.00
Back eave height(ft): 14 Roof Live Load (psf): 20
Front eave height(ft): 14 Roof Dead Load (psf): 2
Back roof slope: 1.0:12 Roof Snow Load (psf): 12
Front roof slope: 1.0:12 Roof Collateral Load (psf): 1
Seismic: 4
Closed/Partial/Open: Closed

Engineering:
Stamped Plan Sets: 1
Design Calc Sets: none

Covering:
Roof: 26 Gauge, PR Panels, Color: Galvalume
Sidewall: 26 Gauge, PR Panels, Color: Saddle Tan
Endwall: 26 Gauge, PR Panels, Color: Saddle Tan
Sidewall trim at eave : Saddle Tan
Endwall (rake) trim at roof : Galvalume
Outside jamb sheeting trim color: Saddle Tan
Outside corner trim color : Saddle Tan

Framing:
----- Interior -----
3 rigid frames, clear span

Frame Design Id	Column Type	Rafter Type
1	constant dept	tapered depth

Spacing along front sidewall: 4 at 20

----- Exterior Walls -----

Endwall: Left = Bearing, Flush girts
 Right = Bearing, Flush girts

Sidewall: Front = Bypass
 Back = Bypass

----- Wind -----

Roof: Panel Shear
 Endwall: Left = Cable Diagonal Bracing
 Right = Panel Shear
 Sidewall: Front = Cable Diagonal Bracing
 Back = Cable Diagonal Bracing

----- Factory Located Framed Openings -----

Factory Located Framed Openings:
 Left Endwall : (1) 12 W x 12 H
 Front Sidewall : (1) 12 W x 12 H
 Right Endwall : none
 Back Sidewall : none

Gutters and Downspouts:
 Front sidewall gutters(ft): none
 Front sidewall downspouts: none
 Back sidewall gutters(ft): none
 Back sidewall downspouts: none

=====
 OPTIONAL ITEMS
 =====

Walk Doors: 1 - 3070M
 4 180LF Dbl Face Tape
 2 150LF Wh WMPVR Patch
 2 12x12 Janis-Roll Up Door ChHst Crate Mnt Plate

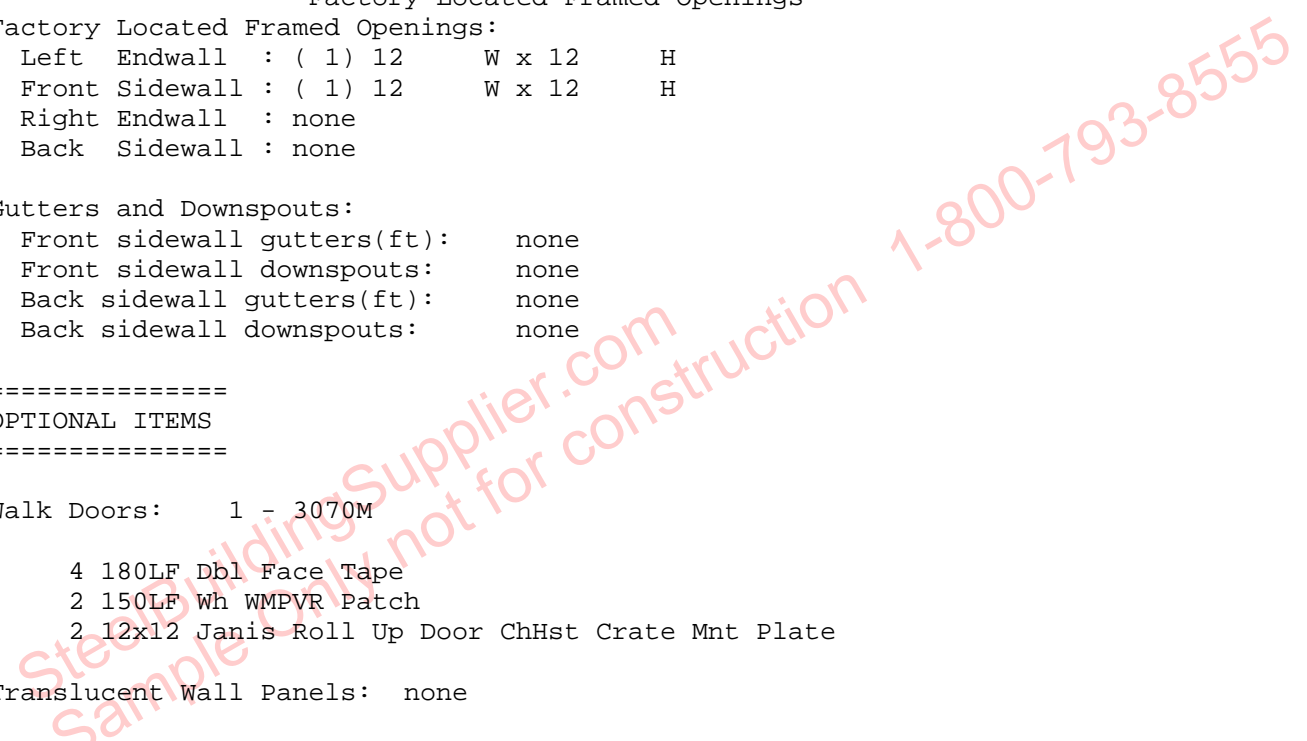
Translucent Wall Panels: none

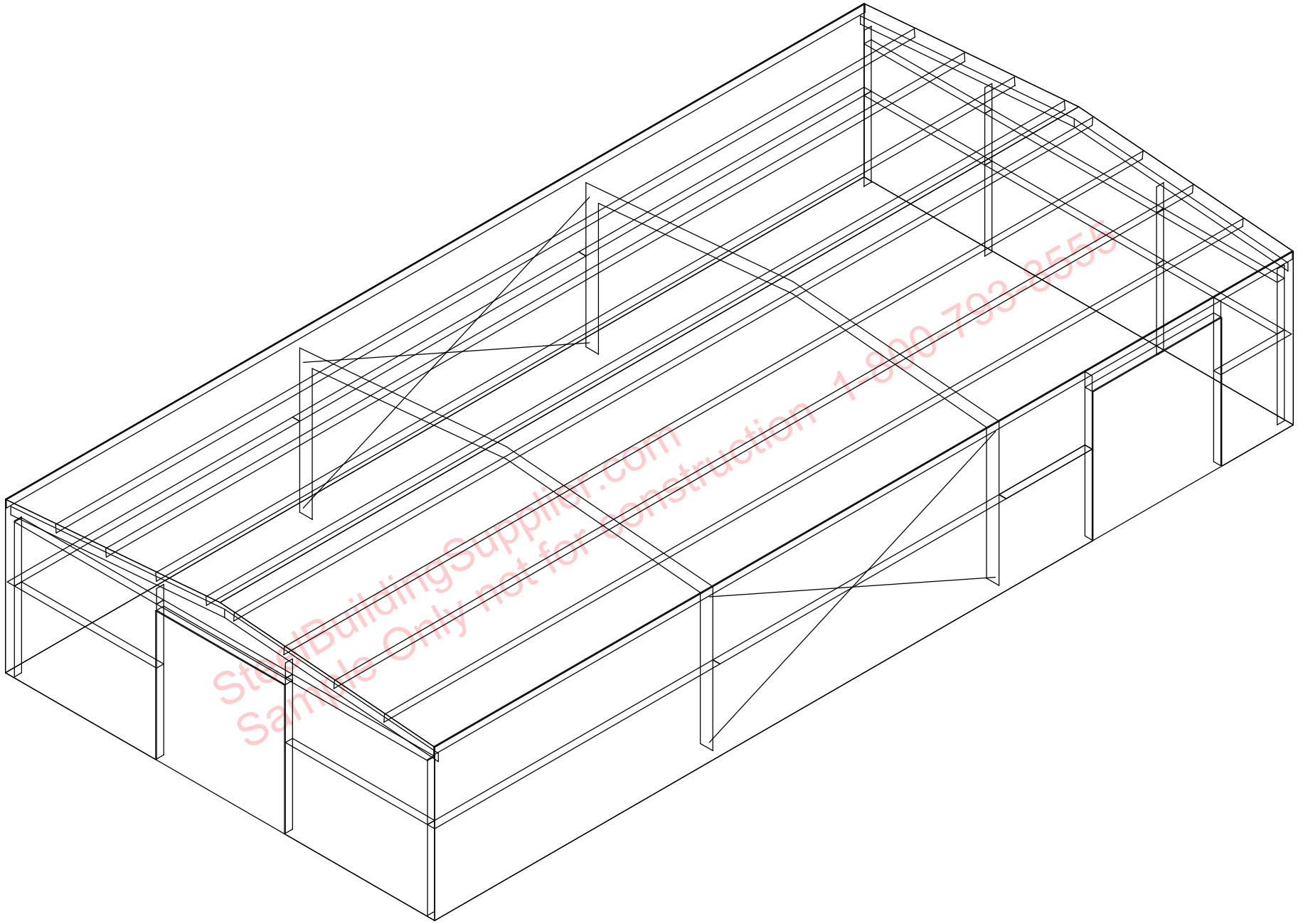
Translucent Roof Panels: none

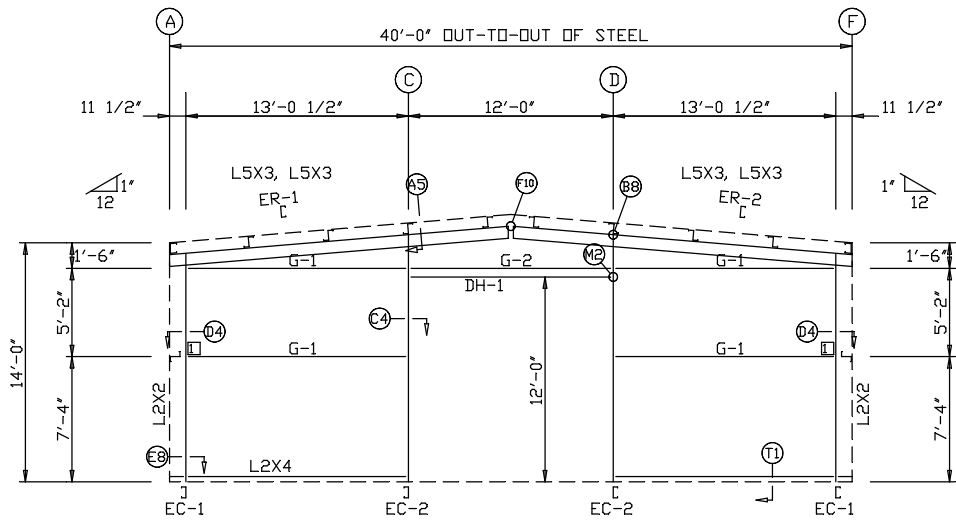
Liner Panels:
 Left Endwall: none
 Right Endwall: none
 Front Sidewall: none
 Back Sidewall: none

Insulation:
 Roof: WMP-VR, 3 inch
 Wall: WMP-VR, 3 inch

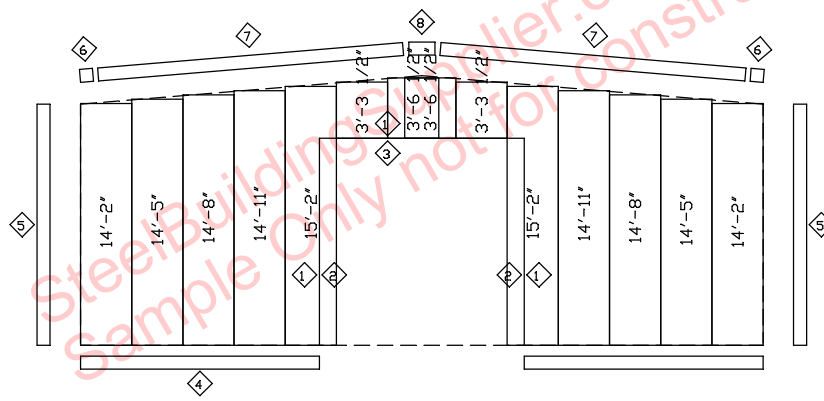
Delivered Weight: 16121.8 lbs







ENDWALL FRAMING: FRAME LINE 1



ENDWALL SHEETING & TRIM: FRAME LINE 1

PANELS: 26 Ga. PBR - Koko Brown

BOLT TABLE				
FRAME LINE 1				
LOCATION	QUAN	TYPE	DIA	LENGTH
ER-1/ER-2	4	A325	5/8"	2"
Columns	2	A325	5/8"	2"

MEMBER TABLE		
FRAME LINE 1		
MARK	PART	LENGTH
EC-1		13'-4 3/4"
EC-2		14'-5 13/16"
ER-1		20'-0 9/16"
ER-2		20'-0 9/16"
DH-1		12'-0"
G-1		12'-4"
G-2		11'-3 1/2"

TRIM TABLE		
FRAME LINE 1		
ID	PART	LENGTH
1		12'-0"
2		12'-2"
3		12'-4"
4		10'-2"
5		14'-0"
6		2"
7		20'-2"
8		1'-4"

CONNECTION PLATES	
FRAME LINE 1	
ID	MARK/PART
1	SC-5

SteelBuildingSupplier.com			
PROJECT		ENDWALL FRAMING	
ID		DESIGN: Larry	
PROJECT ADDRESS		CHECK:	MBC
		DATE:	SHEET 6 OF 12