

=====

QUOTE INFORMATION:

=====

Quote Id:
Purchaser:
Project:

Customer Info:

=====

SteelBuildingSupplier.com
225 S Academy Blvd Ste 201
Colorado Springs CO 80910
800.793.8555
Contact:

=====

Quote good for 7 days

=====

BUILDING TYPE

=====

Commercial Rigid Frame Steel

=====

PRICING

=====

Building Components \$

Subtotal \$

State Tax (6.90%) \$

Building Freight \$

Insulation Freight \$

Detail/Draft Fee \$

Stamped Plan Sets (1) \$

TOTAL COST \$

=====

BUILDING LOCATION

=====

CO 81147

=====

BUILDING DESIGN SPECIFICATIONS

=====

----- Dimensions -----

Width(ft): 40
Length(ft): 60
Back eave height(ft): 20
Front eave height(ft): 20
Back roof slope: 2.0:12
Front roof slope: 2.0:12

----- Loading -----

Wind Code: IBC 00 Exposure: B
Wind (mph): 80 Importance: 1.00
Roof Live Load (psf): 20
Roof Dead Load (psf): 2
Roof Snow Load (psf): 65
Roof Collateral Load (psf): 1
Seismic: -

Engineering:

Stamped Plan Sets: 1
Design Calc Sets: none

Covering:

Roof: 26 Gauge, Classic Roof (PBR) Panels, Color: Galvalume
Sidewall: 26 Gauge, Classic Wall (PBR) Panels, Color: NEED COLOR
Endwall: 26 Gauge, Classic Wall (PBR) Panels, Color: NEED COLOR
Sidewall trim at eave : NEED COLOR
Endwall (rake) trim at roof : Galvalume
Outside jamb sheeting trim color: NEED COLOR
Outside corner trim color : NEED COLOR

Framing:

----- Interior -----

2 rigid frames, clear span
Frame Design Id Column Type Rafter Type

 1 tapered depth tapered depth
Spacing along front sidewall: 3 at 20

----- Exterior Walls -----

Endwall: Left = Bearing, Bypass girts
 Right = Bearing, Bypass girts
Sidewall: Front = Bypass
 Back = Bypass

----- Wind -----

Roof: Cable Diagonal Bracing
Endwall: Left = Panel Shear
 Right = Panel Shear
Sidewall: Front = Cable Diagonal Bracing
 Back = Cable Diagonal Bracing

Factory Located Framed Openings:
Left Endwall : none
Front Sidewall : (1) 10 W x 10 H
 (1) 10 W x 10 H
Right Endwall : none
Back Sidewall : none

Gutters and Downspouts:
Front sidewall gutters(ft): none
Front sidewall downspouts: none
Back sidewall gutters(ft): none
Back sidewall downspouts: none

=====

ACCESSORY ITEMS

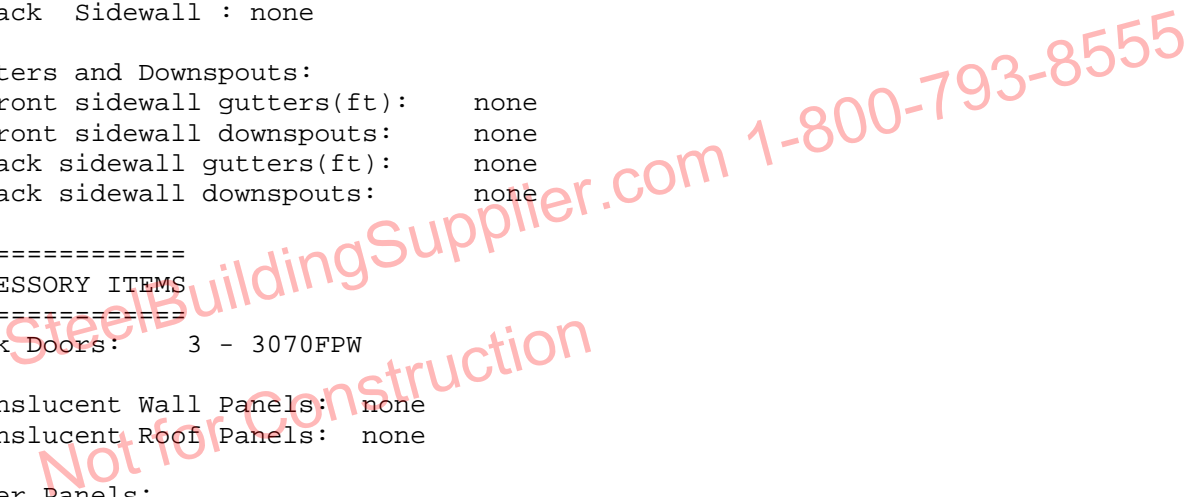
=====

Walk Doors: 3 - 3070FPW
Translucent Wall Panels: none
Translucent Roof Panels: none

Liner Panels:
Left Endwall: none
Right Endwall: none
Front Sidewall: none
Back Sidewall: none

Insulation:
Roof: WMP-VR, 3 inch
Wall: WMP-VR, 3 inch

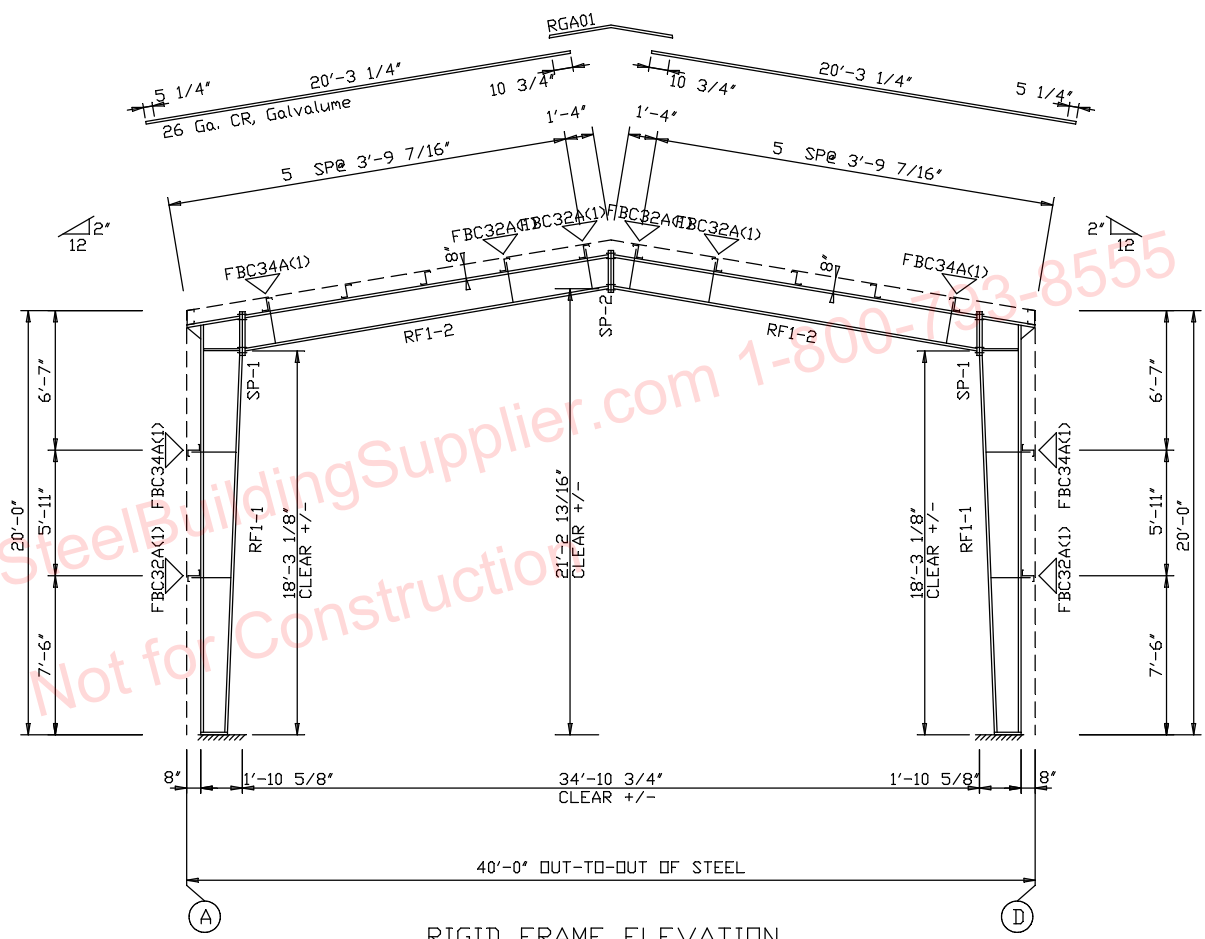
Delivered Weight: 19068.5 lbs



SPLICE BOLTS						
Splice Mark	Quan			-----Bolt-----		
	Top/Bot/Int	Type	Di	Len		
SP-1	4	4	0	A325	0.750	2.75
SP-2	4	4	0	A325	0.750	2.75

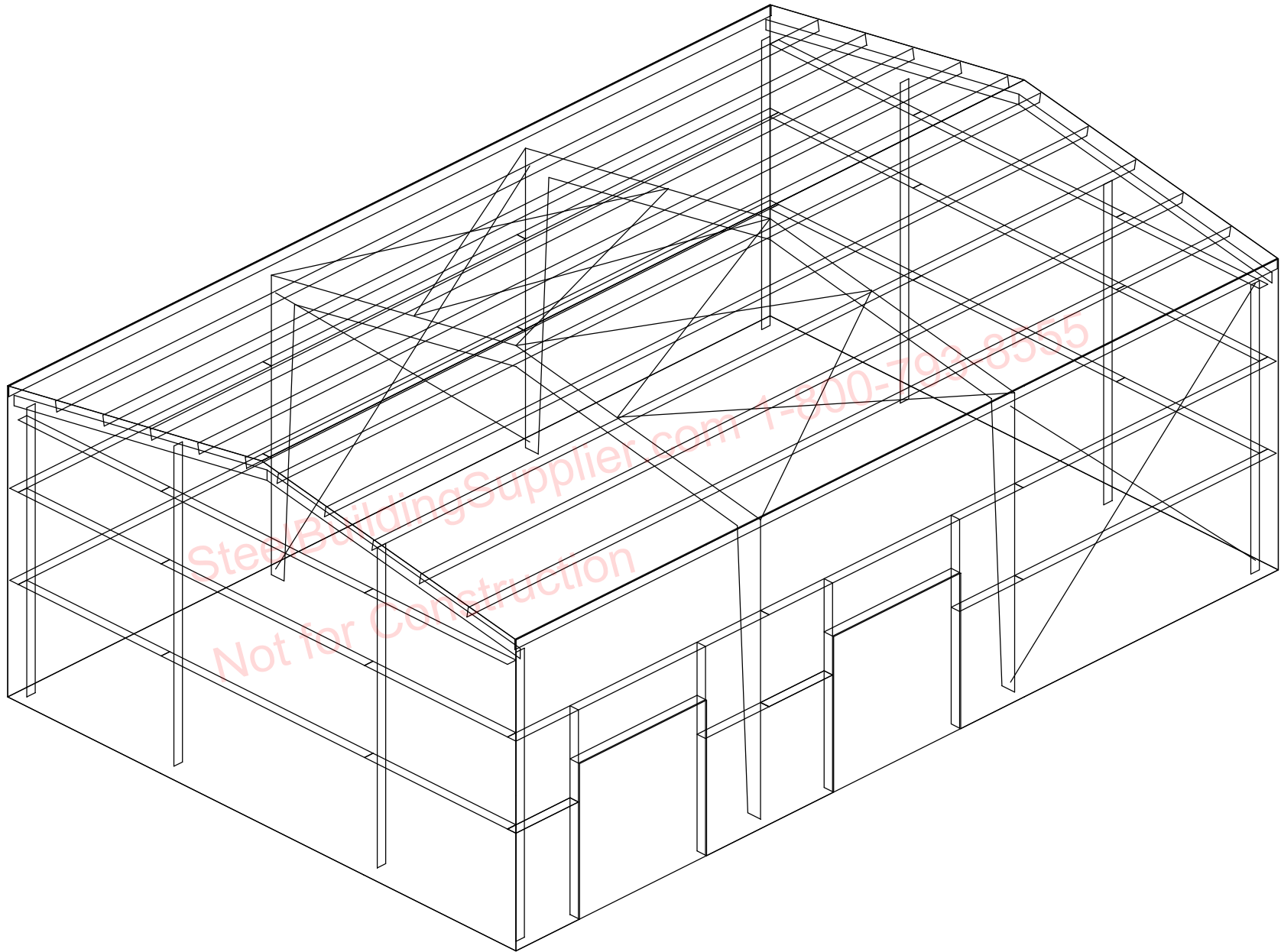
MEMBER SIZE TABLE (in)				
PIECE	WEB DEPTH	WEB PLATE	OUTSIDE FLANGE	
	START/END	THICK	W	T x LEN
RF1-1		215.4	5x1/4"	x232.5
RF1-2		20.8	6x3/8"	x 30.4
RF1-2		213.6	5x3/8"	x210.7
			5x3/8"	x210.8

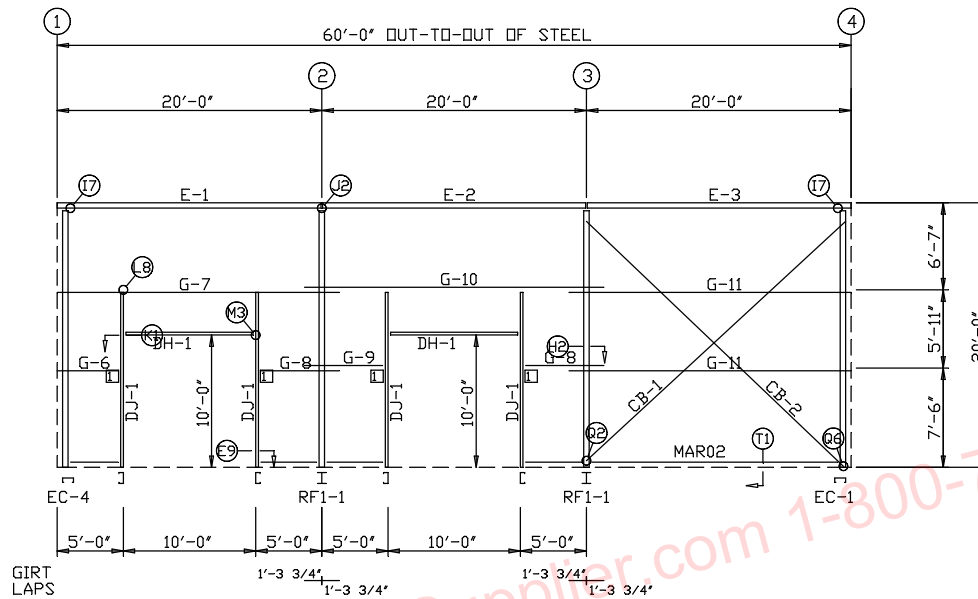
∇ FLANGE BRACES: Both Sides (Unless Noted)
A - L2525105



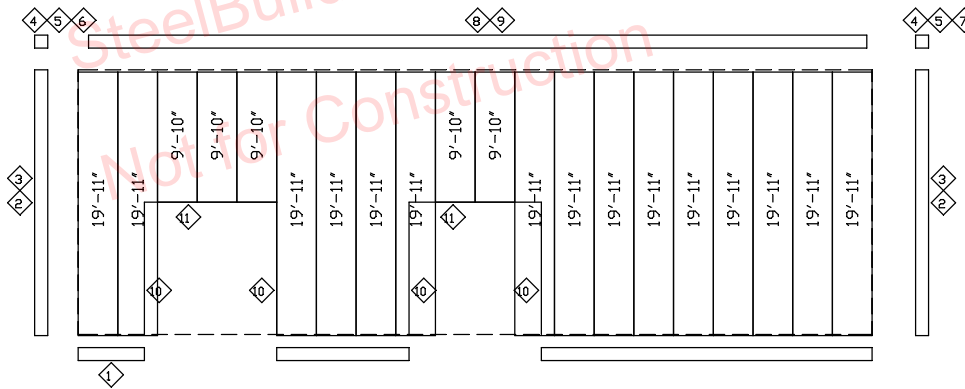
RIGID FRAME ELEVATION
FOR FRAME LINE 2 3

SteelBuildingSupplier.com		Customer Name
PROJECT	Project Name	RIGID FRAME ELEVATION
ID		DESIGN: Designer
PROJECT ADDRESS	Project Street City St Zip	CHECK: NBS
DATE: 3/31/05	SHEET	OF





SIDEWALL FRAMING: FRAME LINE D



SIDEWALL SHEETING & TRIM: FRAME LINE D

PANELS: 26 Ga. CW - NEED COLOR

TRIM TABLE FRAME LINE D			
ID	PART	LENGTH	DETAIL
1	BSB01	10'-2"	TRIM_7
2	DCA01	20'-2"	
3	MFB01	10'-1"	
4	H4000	5"	
5	ERA01	8 1/16"	TRIM_5
6	RCA01	9 1/4"	
7	RCA02	9 1/4"	TRIM_5
8	LEA01	10'-2"	
9	CTA01	10'-1"	TRIM_11
10	JTA03	10'-1"	TRIM_11
11	HTA04	10'-2"	TRIM_14

MEMBER TABLE FRAME LINE D		
MARK	PART	LENGTH
DJ-1	J08C060	13'-5"
DH-1		10'-0"
E-1		19'-11 1/2"
E-2		19'-11 1/2"
E-3		19'-11 1/2"
G-6		4'-8 1/2"
G-7		21'-3 1/2"
G-8		6'-0 1/2"
G-9		6'-0 1/2"
G-10		22'-7 1/2"
G-11		21'-3 1/2"
CB-1		24'-6"
CB-2	CAA-	15'-5"

CONNECTION PLATES FRAME LINE D	
ID	MARK/PART
1	JCA&P02

SIDEWALL FRAMING PLAN: General Notes

- STANDARD ROD/CABLE SIZES PER PART PREFIX

ROD	CABLE
RDB- = 5/8" ROD	RDE- = 1" ROD
RDC- = 3/4" ROD	RDF- = 1 1/8" ROD
RDD- = 7/8" ROD	RDG- = 1 1/4" ROD
	CAA- = 1/4" CABLE
	CAB- = 3/8" CABLE
	CAC- = 1/2" CABLE
- ROD/CABLE BRACING THAT OCCURS IN FLUSH OR INSET GIRTS CONDITIONS WILL REQUIRE FIELD SLOTTING OF GIRT WEBS TO ALLOW FOR BRACING.
- FRAMED OPENINGS WHICH ARE FIELD LOCATED WILL REQUIRE FIELD CUTTING OF GIRTS AND SHEETING.
- THIS DRAWING IS NOT TO SCALE.

SteelBuildingSupplier.com		Customer Name	
PROJECT	Project Name	SIDEWALL FRAMING	
ID		DESIGN: Designer	
PROJECT ADDRESS	Project Street City St Zip	CHECK:	NBS
		DATE: 3/31/05	SHEET OF