

=====
QUOTE INFORMATION:
=====

Quote Id:
Purchaser: Ministries
Project: Church

SteelBuildingSupplier.com
225 S Academy Blvd Ste 201
Colorado Springs CO 80910
800.793.8555
Contact: Derek Shibe

Customer Info:

Quote good for 7 days

=====
BUILDING TYPE
=====

Commercial Rigid Frame Steel

=====
PRICING
=====

Building Components \$
Subtotal \$
Building Freight \$
Detail/Draft Fee \$
Stamped Plan Sets ( 1) \$
TOTAL COST \$

=====
BUILDING LOCATION
=====

AZ

=====
BUILDING DESIGN SPECIFICATIONS
=====

Dimensions Loading
Width(ft): 60 Wind Code: IBC 00 Exposure: C
Length(ft): 100 Wind (mph): 90 Importance: 1.00
Back eave height(ft): 16 Roof Live Load (psf): 20
Front eave height(ft): 16 Roof Dead Load (psf): 2
Back roof slope: 4.0:12 Roof Snow Load (psf): 12
Front roof slope: 4.0:12 Roof Collateral Load (psf): 2
Seismic: -

Engineering:
Stamped Plan Sets: 1
Design Calc Sets: none

Covering:

Roof: 26 Gauge, Classic Roof (PBR) Panels, Color: Brick Red
Sidewall: 26 Gauge, Classic Wall (PBR) Panels, Color: Polar White SP
Endwall: 26 Gauge, Classic Wall (PBR) Panels, Color: Polar White SP
Sidewall trim at eave : Lightstone SP
Endwall (rake) trim at roof : Lightstone SP
Outside jamb sheeting trim color: Lightstone SP
Outside corner trim color : Lightstone SP

Framing:

----- Interior -----
3 rigid frames, clear span
Frame Design Id Column Type Rafter Type
1 tapered depth tapered depth

Spacing along front sidewall: 4 at 25

----- Exterior Walls -----

Endwall: Left = Bearing, Flush girts  
          Right = Bearing, Flush girts  
Sidewall: Front = Bypass  
          Back = Bypass

----- Wind -----

Roof: Cable Diagonal Bracing  
Endwall: Left = Panel Shear  
          Right = Panel Shear  
Sidewall: Front = Cable Diagonal Bracing  
          Back = Cable Diagonal Bracing

Factory Located Framed Openings:

Left Endwall : none  
Front Sidewall : none  
Right Endwall : none  
Back Sidewall : none

Gutters and Downspouts:

Front sidewall gutters(ft): none  
Front sidewall downspouts: none  
Back sidewall gutters(ft): none  
Back sidewall downspouts: none

=====  
ACCESSORY ITEMS  
=====

Translucent Wall Panels: none  
Translucent Roof Panels: none

Liner Panels:

Left Endwall: none  
Right Endwall: none  
Front Sidewall: none  
Back Sidewall: none

Insulation:

Roof: none  
Wall: none

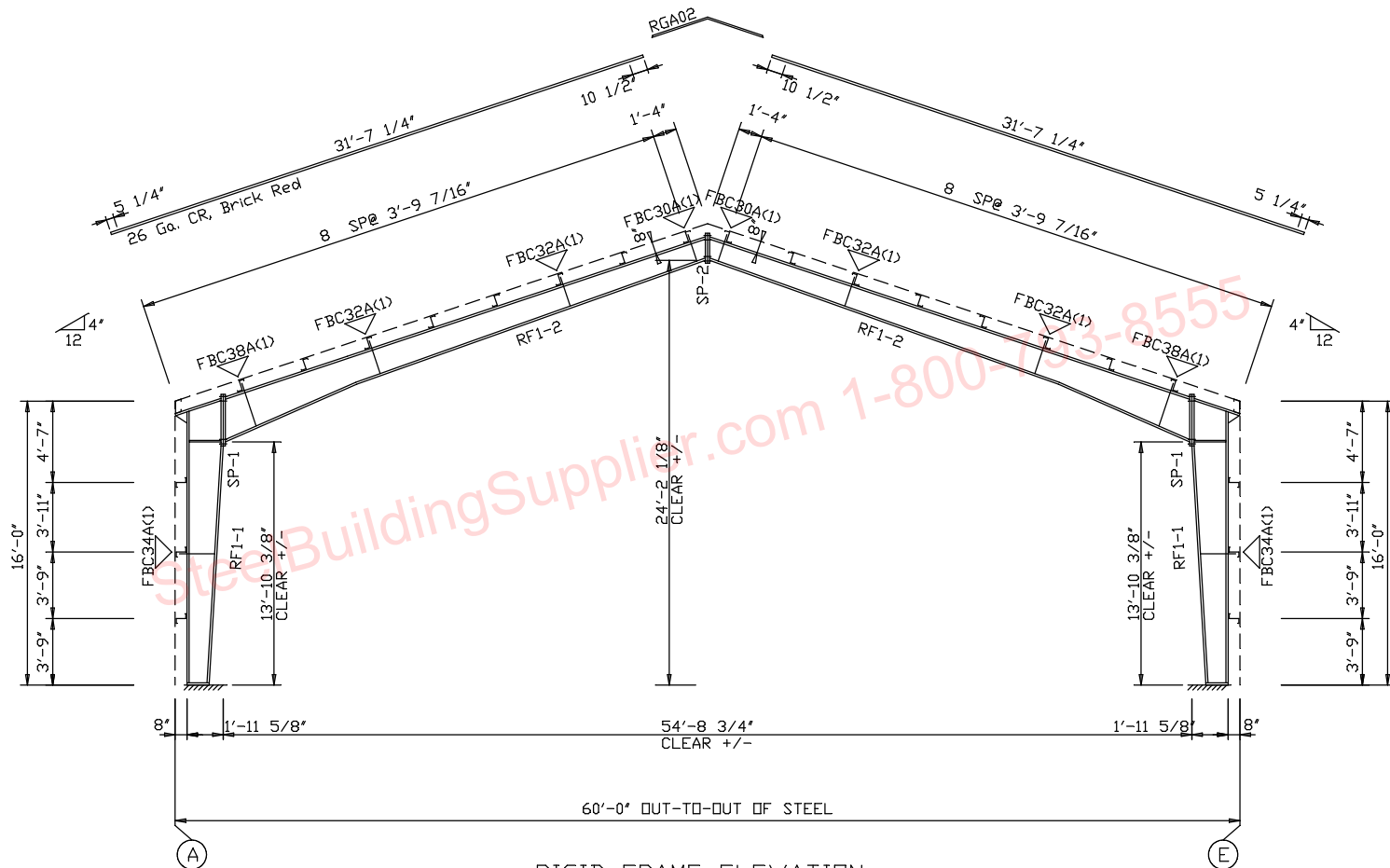
Delivered Weight: 31938.0 lbs



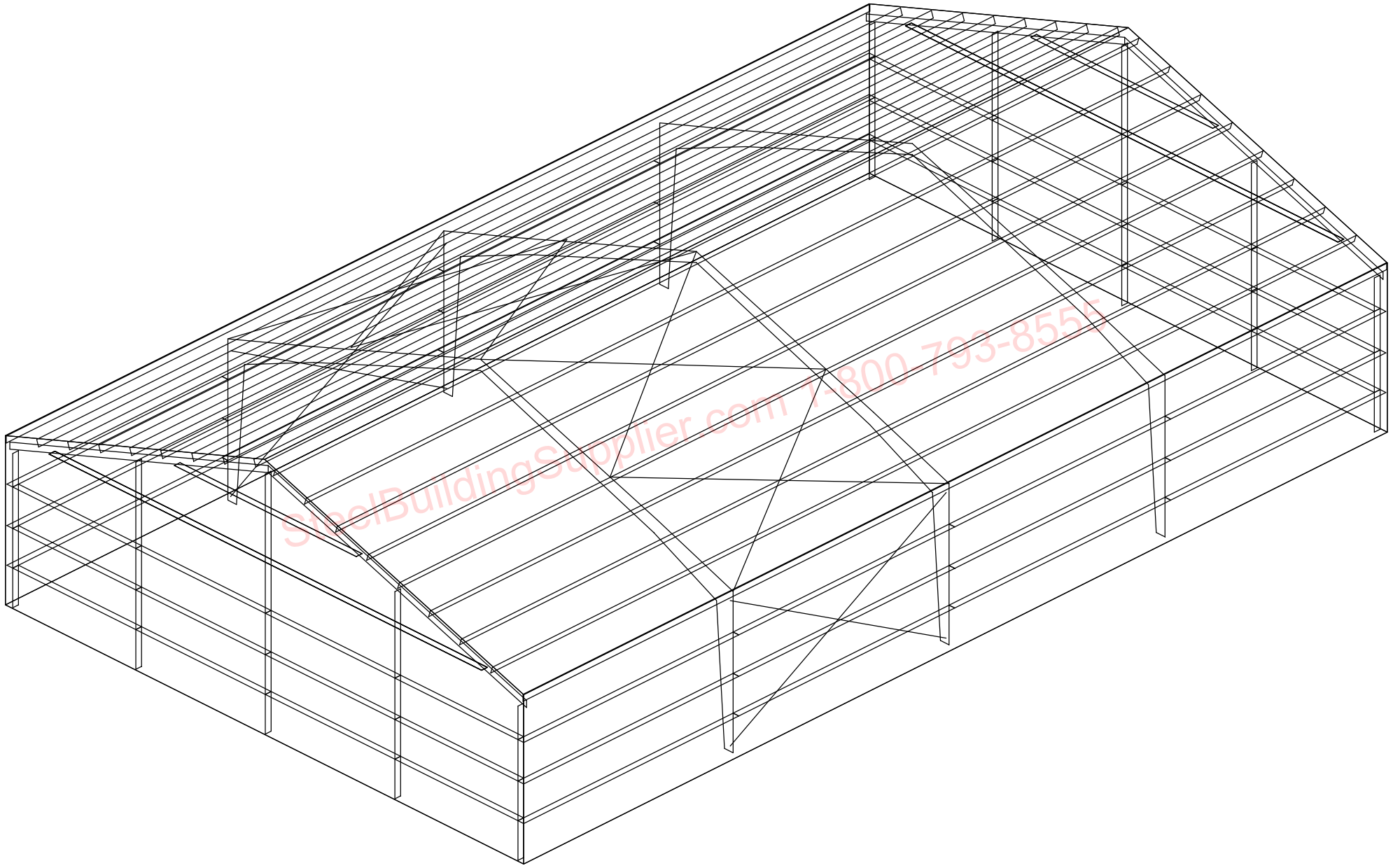
SPLICE BOLTS						
Splice Mark	Quan			-----Bolt-----		
	Top	Bot	Int	Type	Dia	Len
SP- 1	4	4	0	A325	0.750	2.75
SP- 2	4	4	0	A325	0.500	2.00

MEMBER SIZE TABLE (in)

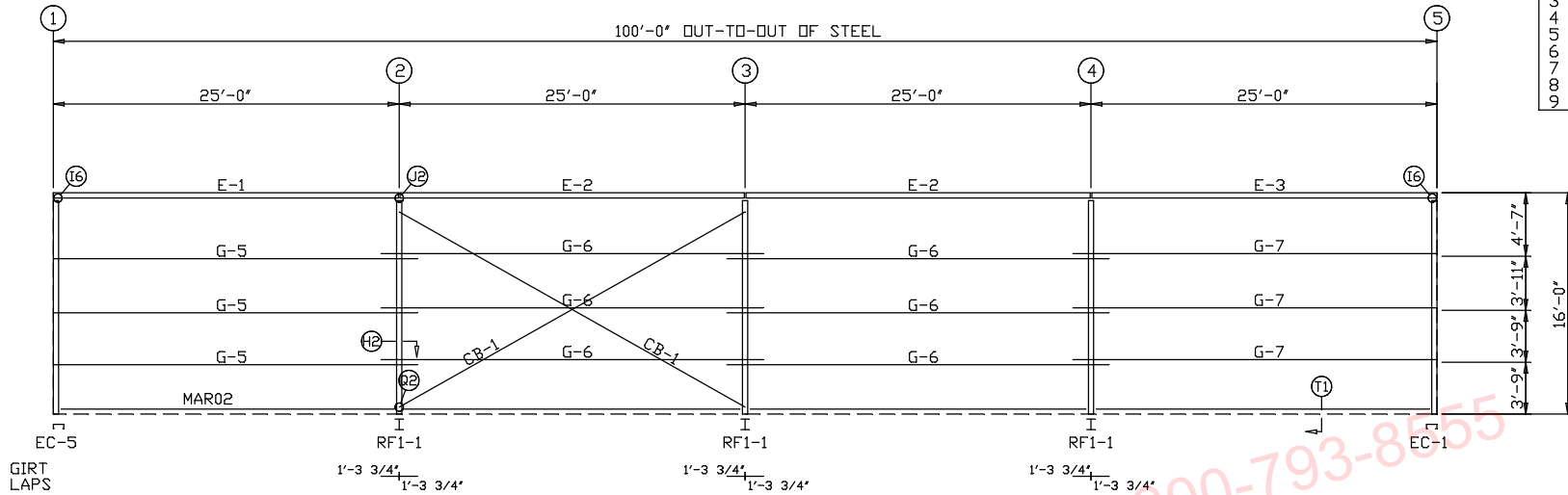
FLANGE BRACES: Both Sides (Unless Noted)  
A - L2525105



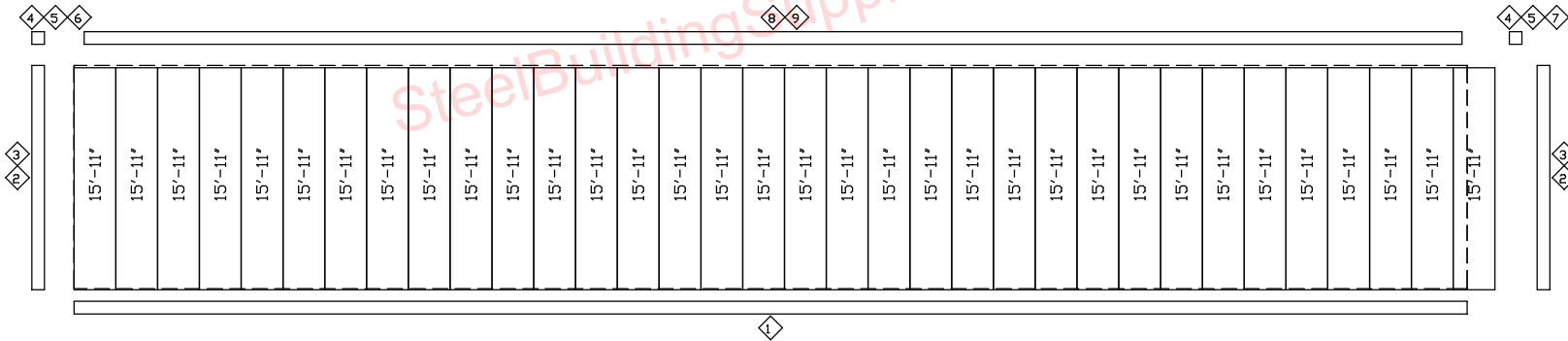
RIGID FRAME ELEVATION  
FOR FRAME LINE 2 3 4



TRIM TABLE FRAME LINE E			
ID	PART	LENGTH	DETAIL
1	B5B01	10'-2"	TRIM_7
2	DCA01	20'-2"	
3	MF B01	10'-1"	
4	H4000	5"	
5	ERA01	8 1/16"	TRIM_5
6	RCA01	9 1/4"	
7	RCA02	9 1/4"	
8	LEA01	10'-2"	
9	CTA01	10'-1"	



SIDEWALL FRAMING: FRAME LINE E



SIDEWALL SHEETING & TRIM: FRAME LINE E

PANELS: 26 Ga. CW - Polar White SP

**SIDEWALL FRAMING PLAN: General Notes**

- STANDARD ROD/CABLE SIZES PER PART PREFIX  

<b>ROD</b>	<b>CABLE</b>	
RDB- = 5/8" ROD	RDE- = 1" ROD	CAA- = 1/4" CABLE
RDC- = 3/4" ROD	RDF- = 1 1/8" ROD	CAB- = 3/8" CABLE
RDD- = 7/8" ROD	RDG- = 1 1/4" ROD	CAC- = 1/2" CABLE
- ROD/CABLE BRACING THAT OCCURS IN FLUSH OR INSET GIRTS CONDITIONS WILL REQUIRE FIELD SLOTTING OF GIRT WEBS TO ALLOW FOR BRACING.
- FRAMED OPENINGS WHICH ARE FIELD LOCATED WILL REQUIRE FIELD CUTTING OF GIRTS AND SHEETING.
- THIS DRAWING IS NOT TO SCALE.