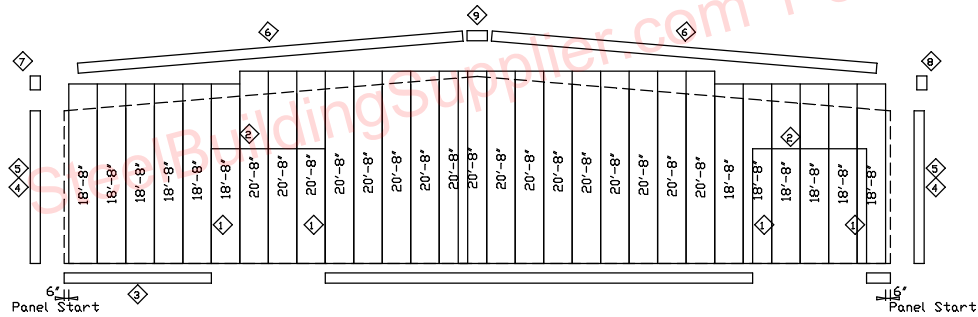


TRIM TABLE FRAME LINE 1		
ID PART	LENGTH	DETAIL
1 JTD04	12'-1"	TRIM_12
2 HTA05	12'-2"	TRIM_15
3 BSB01	10'-2"	TRIM_9
4 DCA01	20'-2"	
5 MFA01	10'-1"	
6 RPA01	10'-1"	
7 RCB01	10'	
8 RC802	10'	
9 H4050	1'-4"	

BOLT TABLE FRAME LINE 1				
LOCATION	QUAN	TYPE	DIA	LENGTH
ER-1/ER-2	4	A325	1/2"	2"
Columns	2	A325	1/2"	2"
Jamb	4	A325	1/2"	2"



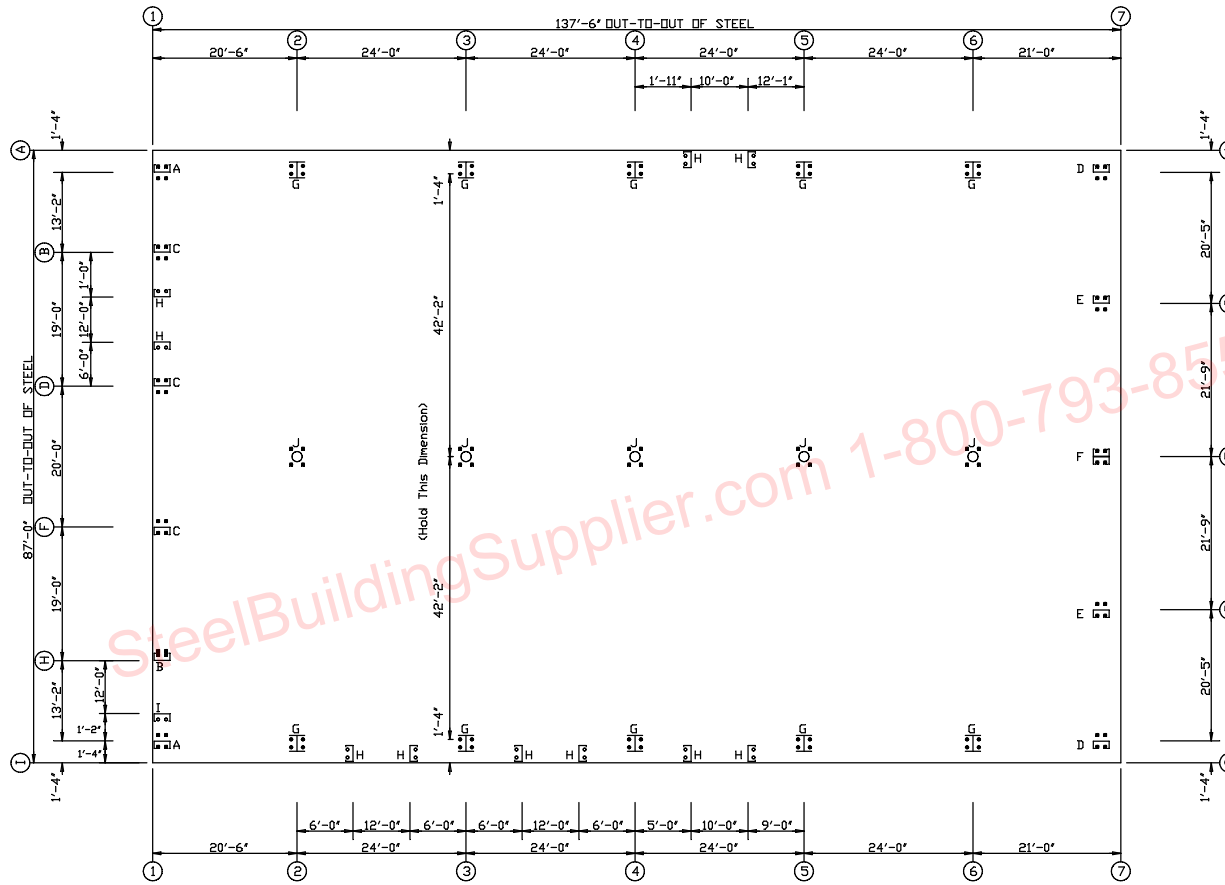
FLANGE BRACE TABLE FRAME LINE 1	
VID MARK	LENGTH
1 FBEO1	2'-11 7/8"

CONNECTION PLATES FRAME LINE 1	
ID MARK	PART
1	EWA01
2	NCR03
3	JCS01
4	JCA&P02
5	b1
6	FGC01
7	JCA&P03
8	b2

ENDWALL FRAMING PLAN: General Notes

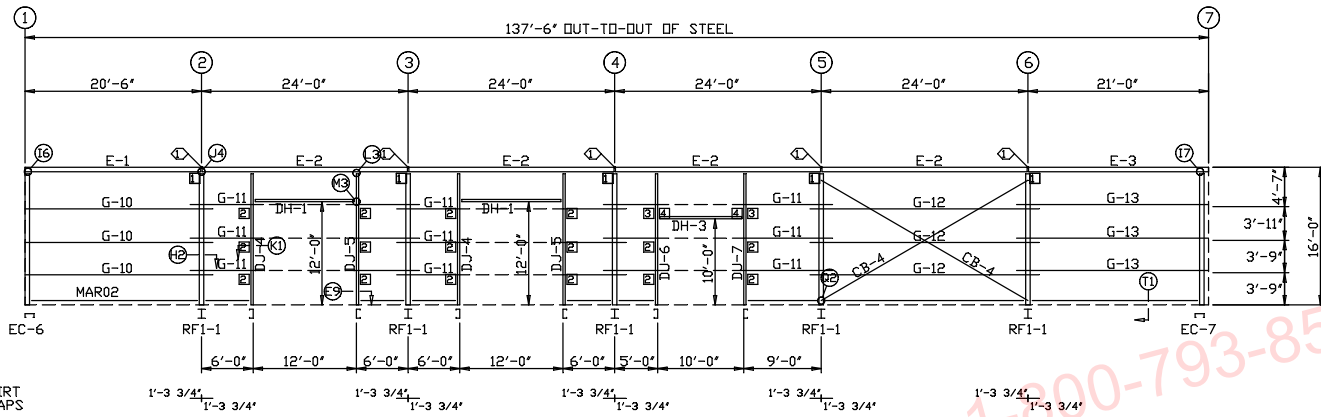
- STANDARD ROD/CABLE SIZES PER PART PREFIX

ROD	CABLE
RDB- = 5/8" ROD	CAA- = 1/4" CABLE
RDC- = 3/4" ROD	CAB- = 3/8" CABLE
RDD- = 7/8" ROD	CAC- = 1/2" CABLE
RDE- = 1" ROD	
RDF- = 1 1/8" ROD	
RDG- = 1 1/4" ROD	
- ROD/CABLE BRACING THAT OCCURS IN FLUSH OR INSET GIRT CONDITIONS WILL REQUIRE FIELD SLITTING OF GIRT WEBS TO ALLOW FOR BRACING.
- FRAMED OPENINGS WHICH ARE FIELD LOCATED WILL REQUIRE FIELD CUTTING OF GIRTS AND SHEETING.
- THIS DRAWING IS NOT TO SCALE.

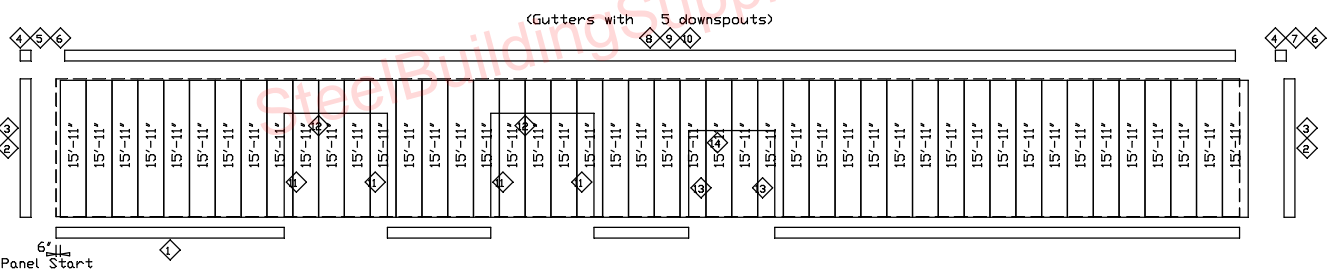


ANCHOR BOLT PLAN
NOTE: All Base Plates @ 100'-0" (UN.)

- Dia= 1/2'
- Dia= 3/4'
- Dia=1'



SIDEWALL FRAMING: FRAME LINE I



SIDEWALL SHEETING & TRIM: FRAME LINE I
PANELS: 26 Ga. RC - Sagebrush SP

TRIM TABLE			
FRAME LINE I			
ID	PART	LENGTH	DETAIL
1	BSB01	10'-2"	
2	OCA01	20'-2"	
3	MFA01	10'-1"	TRIM_9
4	H4000	5'	
5	RCA01	9 1/4'	
6	GRA01	8'	
7	RCA02	9 1/4'	
8	GTA02	20'-2"	TRIM_21
9	LEA01	10'-2"	TRIM_1
10	CTA01	10'-1"	TRIM_1
11	JTD04	12'-1"	TRIM_12
12	HTA05	12'-2"	TRIM_15
13	JTD03	10'-1"	TRIM_12
14	HTA04	10'-2"	TRIM_15

SPECIAL BOLTS					
ID	QUAN	TYPE	DIA	LENGTH	WASH
1	4	A325	1/2"	2"	0

CONNECTION PLATES	
FRAME LINE I	
ID	MARK/PART
1	ESC03
2	JCA&P02
3	b1
4	FGC01

SIDEWALL FRAMING PLAN: General Notes

- STANDARD ROD/CABLE SIZES PER PART PREFIX
- ROD/CABLE BRACING THAT OCCURS IN FLUSH OR INSET GIRT CONDITIONS WILL REQUIRE FIELD SLOTTING OF GIRT WEBS TO ALLOW FOR BRACING.
- FRAMED OPENINGS WHICH ARE FIELD LOCATED WILL REQUIRE FIELD CUTTING OF GIRTS AND SHEETING.
- THIS DRAWING IS NOT TO SCALE.

ROD	CABLE
RDB- = 5/8" ROD	CAA- = 1/4" CABLE
RDC- = 3/4" ROD	CAB- = 3/8" CABLE
RDD- = 7/8" ROD	CAC- = 1/2" CABLE
RDE- = 1" ROD	
RDF- = 1 1/8" ROD	
RDG- = 1 1/4" ROD	