

=====
QUOTE INFORMATION:
=====
Quote Id: mohamed
Purchaser:
Project:

=====
SteelBuildingSupplier.com
225 S Academy Blvd Ste 201
Colorado Springs, CO 80910-2768
(800) 793-8555
Contact:

Customer Info:

Quote good for 7 days

=====
BUILDING TYPE
=====
Commercial Rigid Frame Steel

=====
PRICING
=====
Building Components \$
PANEL PACKING 2 sets \$
-----
Subtotal \$
Detail/Draft Fee \$
-----
TOTAL COST \$

Freight is not figured yet - if this design works for you email me back.

=====
BUILDING LOCATION
=====
Somalia / Export

=====
BUILDING DESIGN SPECIFICATIONS
=====

----- Dimensions ----- Loading -----
Width(ft): 40 Wind Code: IBC 03 Exposure: C
Length(ft): 60 Wind (mph): 100 Importance: 1.00
Back eave height(ft): 12 Roof Live Load (psf): 20
Front eave height(ft): 12 Roof Dead Load (psf): 2
Back roof slope: 2.0:12 Roof Snow Load (psf): 21
Front roof slope: 2.0:12 Roof Collateral Load (psf): 1
Seismic: C
Closed/Partial/Open: Closed

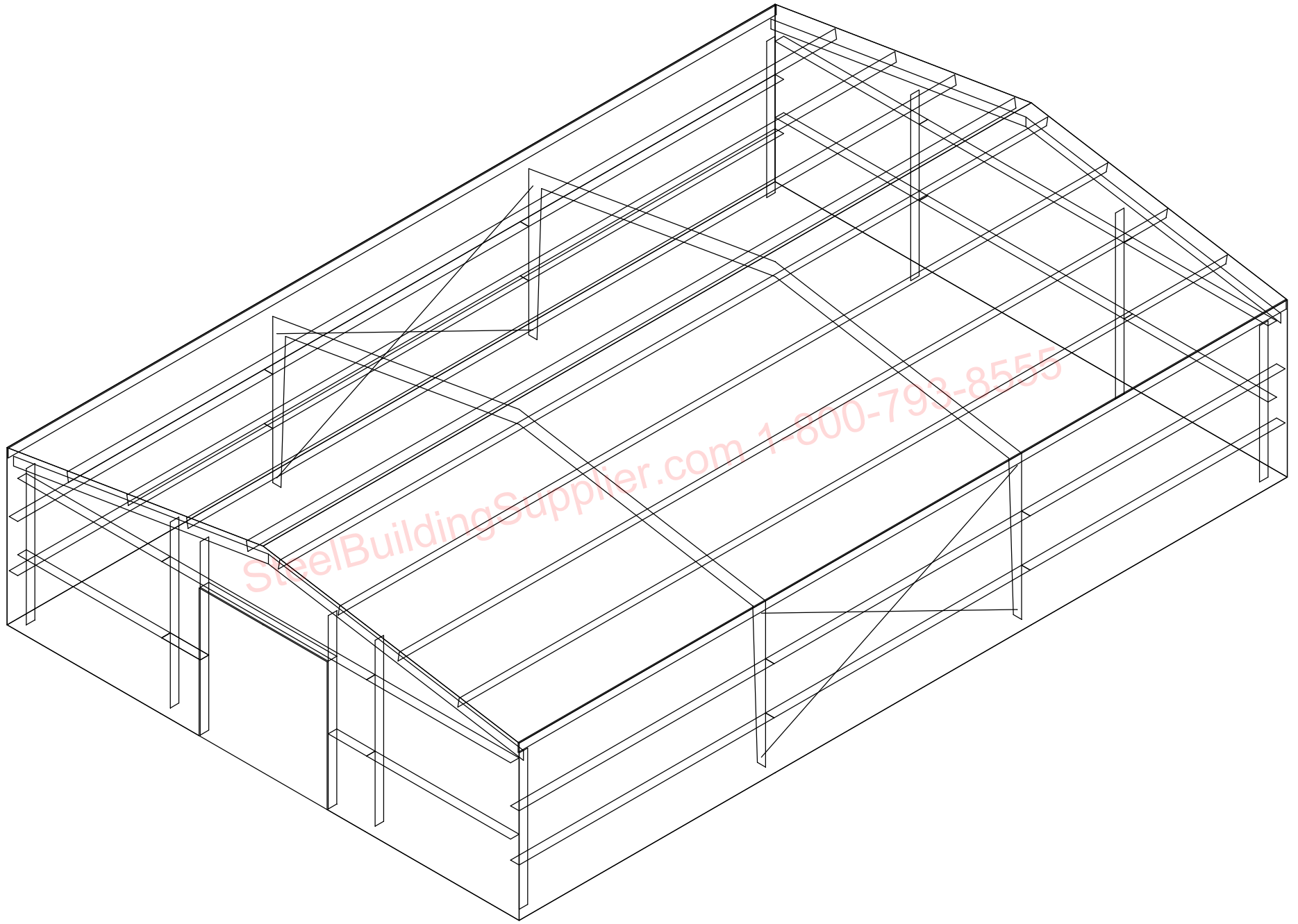
Engineering:
Stamped Plan Sets: none
Design Calc Sets: none

Covering:
Roof: 26 Gauge, PR Panels, Color: Galvalume
Sidewall: 26 Gauge, PR Panels, Color: NEED COLOR
Endwall: 26 Gauge, PR Panels, Color: NEED COLOR
Sidewall trim at eave : NEED COLOR
Endwall (rake) trim at roof : NEED COLOR
Outside jamb sheeting trim color: NEED COLOR
Outside corner trim color : NEED COLOR

Framing:
----- Interior -----
2 rigid frames, clear span

Frame Design Id	Column Type	Rafter Type
1	tapered depth	tapered depth
Spacing along front sidewall: 3 at 20		
----- Exterior Walls -----		
Endwall:	Left = Bearing, Bypass girts	
	Right = Bearing, Bypass girts	
Sidewall:	Front = Bypass	
	Back = Bypass	
----- Wind -----		
Roof:	Panel Shear	
Endwall:	Left = Panel Shear	
	Right = Panel Shear	
Sidewall:	Front = Cable Diagonal Bracing	
	Back = Cable Diagonal Bracing	
----- Factory Located Framed Openings -----		
Factory Located Framed Openings:		
Left Endwall	: ( 1 ) 10	W x 10 H
Front Sidewall	: none	
Right Endwall	: none	
Back Sidewall	: none	
Gutters and Downspouts:		
Front sidewall gutters(ft):	none	
Front sidewall downspouts:	none	
Back sidewall gutters(ft):	none	
Back sidewall downspouts:	none	
=====		
ACCESSORY ITEMS		
=====		
Translucent Wall Panels:	none	
Translucent Roof Panels:	none	
Liner Panels:		
Left Endwall:	none	
Right Endwall:	none	
Front Sidewall:	none	
Back Sidewall:	none	
Insulation:		
Roof:	none	
Wall:	none	
Delivered Weight:	12188.2 lbs	

Steel Building Supplier.com 1-800-793-8555

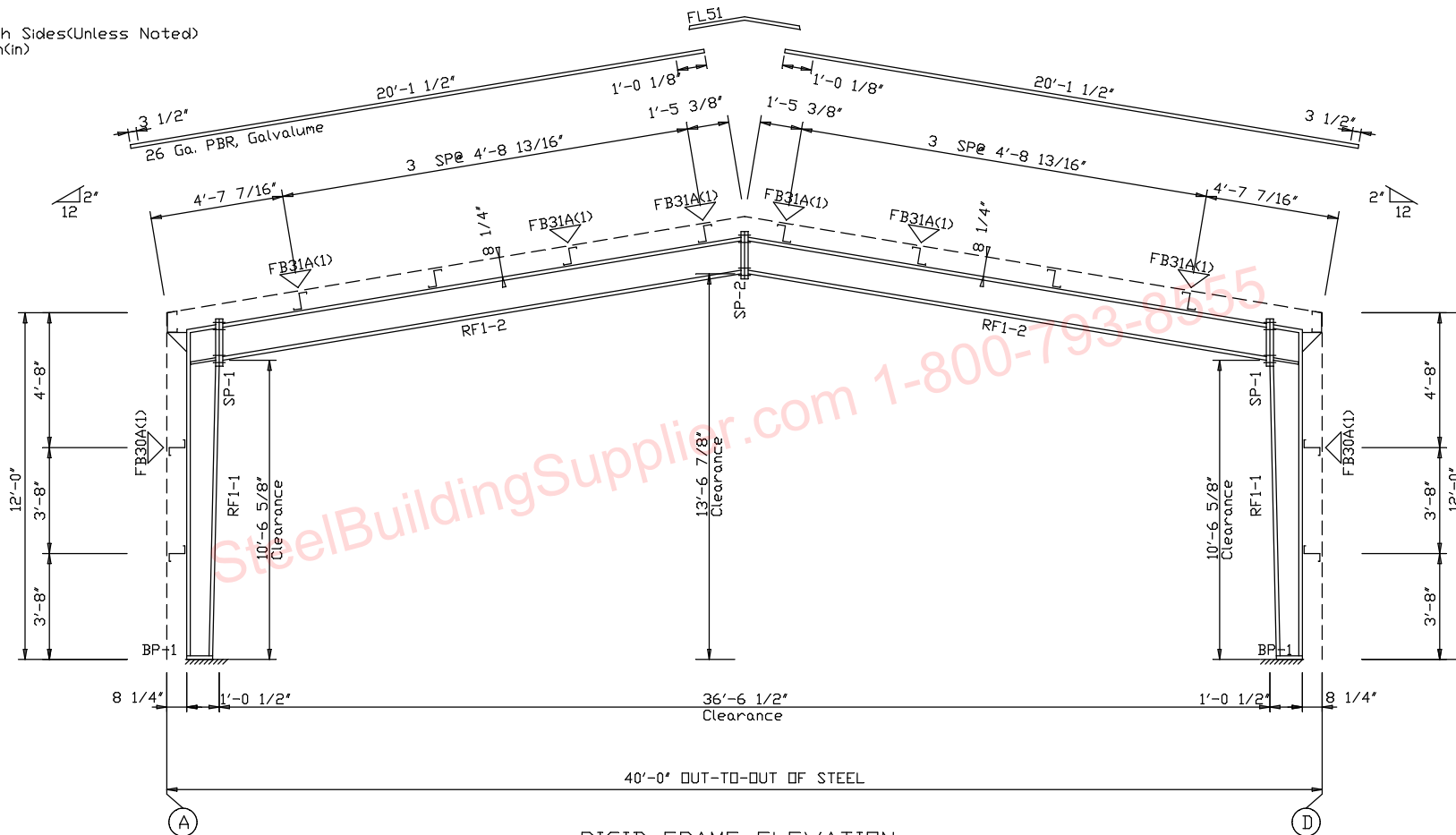


SPLICE BOLTS					
Splice Mark	Quan	Top/Bot/Int	Type	Di	Len
SP-1	4	4	0	A325	5/8" 2 1/2"
SP-2	4	4	0	A325	5/8" 2"

BASE PLATES			
Col	Plate Size	Wid	Thick Length
BP-1	8" 1/2"	8" 1/2"	

PIECE	MEMBER SIZE TABLE		OUTSIDE FLANGE W x T x LEN	INSIDE FLANGE W x T x LEN
	WEB DEPTH START/END	WEB PLATE THICK LENGTH		
RF1-1	12.0/12.0	0.250 1'-3 3/16"	5x1/4" x1'-0 3/8"	5x1/4" x10'-3 3/16"
	7.7/12.0	0.134 10'-3 1/8"	5x1/4" x11'-4 1/4"	
RF1-2	12.0/12.0	0.134 18'-6 3/4"	5x1/4" x18'-4 11/16"	5x1/4" x18'-4 11/16"

FLANGE BRACES: Both Sides (Unless Noted)  
 FBxxA(1): xx=length(in)  
 A - L2X2X14G



RIGID FRAME ELEVATION  
 FOR FRAME LINE 2 3

SteelBuildingSupplier.com		Company or Customer	
PROJECT		RIGID FRAME ELEVATION	
ID	mohamed	DESIGN: Designer	
PROJECT ADDRESS	Jobsite address Jobsite address 2	CHECK:	MBC
DATE:	3/22/05	SHEET	OF