

=====
QUOTE INFORMATION:
=====
Quote Id: 24x24x9
Purchaser:
Project:

=====
SteelBuildingSupplier.com
225 S Academy Blvd Ste 201
Colorado Springs, CO 80910-2768
(800) 793-8555
Contact:
=====

Customer Info:

Quote good for 7 days

=====
BUILDING TYPE
=====

Commercial Rigid Frame Steel

=====
PRICING
=====

Building Components \$
PANEL PACKING 1 sets \$
-----
Subtotal \$
Building Freight \$
Detail/Draft Fee \$
Stamped Plan Sets ( 1) \$
-----
TOTAL COST \$

=====
BUILDING LOCATION
=====

=====
BUILDING DESIGN SPECIFICATIONS
=====

----- Dimensions ----- Loading -----
Width(ft): 24 Wind Code: IBC 00 Exposure: B
Length(ft): 24 Wind (mph): 90 Importance: 1.00
Back eave height(ft): 9.5 Roof Live Load (psf): 20
Front eave height(ft): 9.5 Roof Dead Load (psf): 2
Back roof slope: 4.0:12 Roof Snow Load (psf): 35
Front roof slope: 4.0:12 Roof Collateral Load (psf): 1
Seismic: B

Engineering:
Stamped Plan Sets: 1
Design Calc Sets: none

Covering:
Roof: 26 Gauge, PR Panels, Color: Galvalume
Sidewall: 26 Gauge, PR Panels, Color: NEED COLOR
Endwall: 26 Gauge, PR Panels, Color: NEED COLOR
Sidewall trim at eave : NEED COLOR
Endwall (rake) trim at roof : NEED COLOR
Outside jamb sheeting trim color: NEED COLOR
Outside corner trim color : NEED COLOR

Framing:

----- Interior -----
0 rigid frame, clear span
Frame Design Id Column Type Rafter Type
-----
1 tapered depth tapered depth



Spacing along front sidewall: 1 at 24

----- Exterior Walls -----

Endwall: Left = Bearing, Flush girts  
Right = Bearing, Flush girts  
Sidewall: Front = Bypass  
Back = Bypass

----- Wind -----

Roof: Panel Shear  
Endwall: Left = Panel Shear  
Right = Panel Shear  
Sidewall: Front = Cable Diagonal Bracing  
Back = Cable Diagonal Bracing

----- Factory Located Framed Openings -----

Factory Located Framed Openings:  
Left Endwall : ( 1 ) 16 W x 7 H  
Front Sidewall : none  
Right Endwall : none  
Back Sidewall : none

Gutters and Downspouts:

Front sidewall gutters(ft): none  
Front sidewall downspouts: none  
Back sidewall gutters(ft): none  
Back sidewall downspouts: none

=====  
ACCESSORY ITEMS  
=====

Walk Doors: 1 - 3070M

Translucent Wall Panels: none

Translucent Roof Panels: none

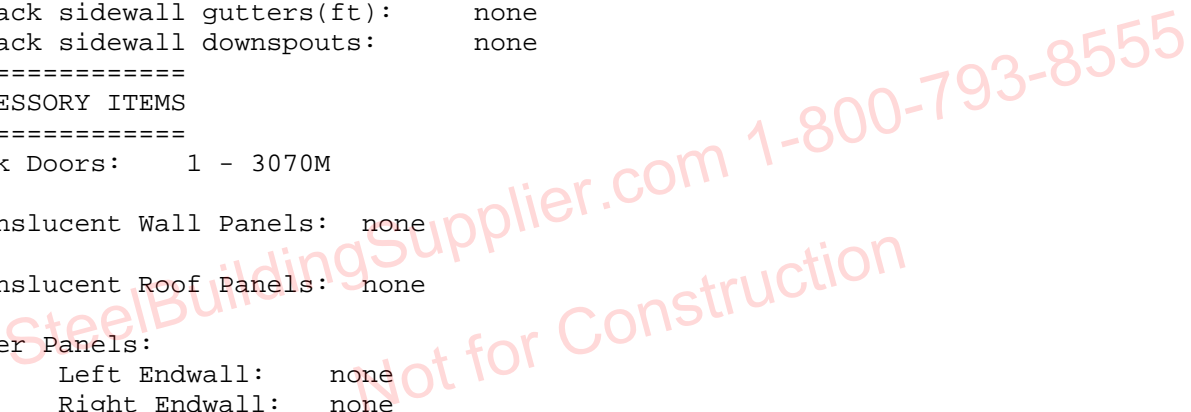
Liner Panels:

Left Endwall: none  
Right Endwall: none  
Front Sidewall: none  
Back Sidewall: none

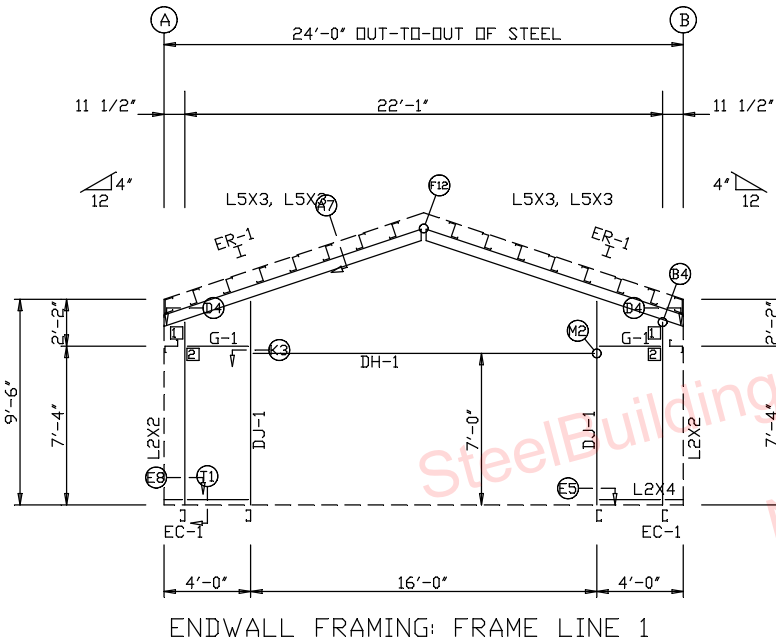
Insulation:

Roof: none  
Wall: none

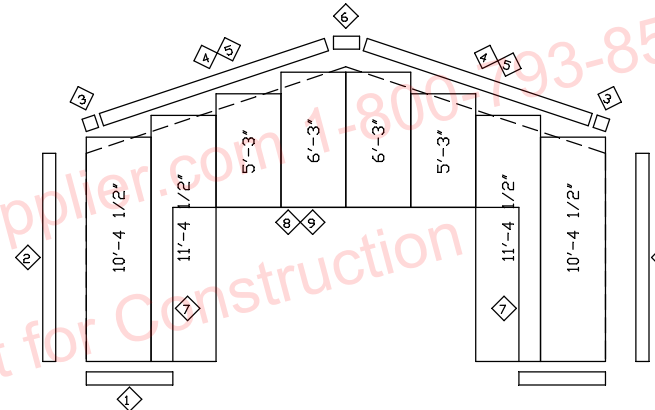
Delivered Weight: 5801.3 lbs



BOLT TABLE				
FRAME LINE 1				
LOCATION	QUAN	TYPE	DIA	LENGTH
ER-1/ER-1	4	A325	3/4"	2 1/2"
Columns	4	A325	5/8"	2"
Jamb	2	A325	5/8"	2"



ENDWALL FRAMING: FRAME LINE 1



ENDWALL SHEETING & TRIM: FRAME LINE 1

PANELS: 26 Ga. PBR - NEED COLOR

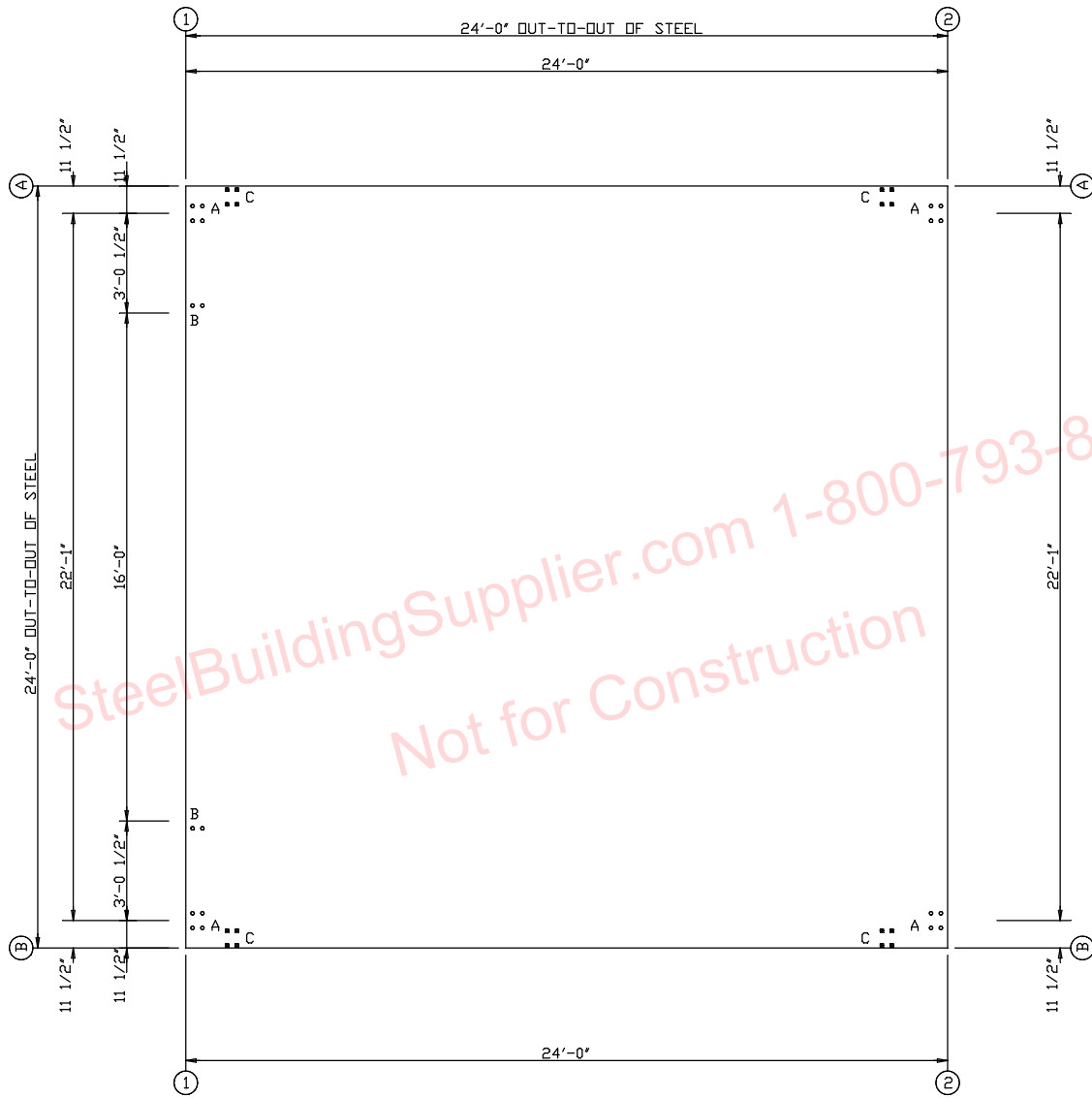
TRIM TABLE		
FRAME LINE 1		
ID	PART	LENGTH
1	FL-72	10'-2"
2	FL-830	10'-2"
3	FL-13A	2"
4	FL-13	10'-2"
5	FL-13D	20'-2"
6	FL-13C	1'-4"
7	FL-22	7'-3"
8	FL-25	7'-1"
9	FL-26	10'-4"

CONNECTION PLATES	
FRAME LINE 1	
ID	MARK/PART
1	BOLT
2	SC-5

SteelBuildingSupplier.com		Company or Customer	
PROJECT		ENDWALL FRAMING	
ID	24x24x9	DESIGN: Designer	
PROJECT ADDRESS	Jobsite address	CHECK:	MBC
	Jobsite address 2	DATE:	SHEET OF

ANCHOR BOLT SUMMARY

Qty	Loc	Dia (in)	Proj (in)
4	DJ	3/4"	2.50
16	EV	3/4"	2.50
16	VB	7/8"	3.00



ANCHOR BOLT PLAN  
NOTE: All Base Plates @ 100'-0" (U.N.)

- Dia= 3/4"
- Dia= 7/8"

SteelBuildingSupplier.com		Company or Customer	
PROJECT		ANCHOR BOLT PLAN	
ID	24x24x9	DESIGN: Designer	
PROJECT ADDRESS	Jobsite address Jobsite address 2	CHECK:	MBC
DATE:		SHEET	OF

