

=====
QUOTE INFORMATION:
=====
Quote Id:
Purchaser:
Project:

=====
SteelBuildingSupplier.com
225 S Academy Blvd Ste 201
Colorado Springs, CO 80910-2768
(800) 793-8555
Contact:
=====

Customer Info:
=====

Quote good for 7 days

BUILDING TYPE
=====
Commercial Rigid Frame Steel
=====

PRICING
=====

Building Components \$
PANEL PACKING 2 sets \$

Subtotal \$
Building Freight \$
Detail/Draft Fee \$
Stamped Plan Sets (1) \$

TOTAL COST \$

=====
BUILDING LOCATION
=====
NY 14047

SteelBuildingSupplier.com
1-800-793-8555

=====
BUILDING DESIGN SPECIFICATIONS
=====

----- Dimensions ----- Loading -----
Width(ft): 30 Wind Code: IBC 00 Exposure: C
Length(ft): 60 Wind (mph): 100 Importance: 1.00
Back eave height(ft): 10 Roof Live Load (psf): 20
Front eave height(ft): 12 Roof Dead Load (psf): 2
Back roof slope: 4.0:12 Roof Snow Load (psf): 40
Front roof slope: 2.4:12 Roof Collateral Load (psf): 1
Seismic: B

Engineering:
Stamped Plan Sets: 1
Design Calc Sets: none

Covering:
Roof: 26 Gauge, PR Panels, Color: Galvalume
Sidewall: 26 Gauge, PR Panels, Color: NEED COLOR
Endwall: 26 Gauge, PR Panels, Color: NEED COLOR
Sidewall trim at eave : NEED COLOR
Endwall (rake) trim at roof : NEED COLOR
Outside jamb sheeting trim color: NEED COLOR
Outside corner trim color : NEED COLOR

Framing:
----- Interior -----
2 rigid frames, clear span
Frame Design Id Column Type Rafter Type

1 tapered depth tapered depth
Spacing along front sidewall: 3 at 20

----- Exterior Walls -----

Endwall: Left = Bearing, Bypass girts
Right = Bearing, Bypass girts
Sidewall: Front = Bypass
Back = Bypass

----- Wind -----

Roof: Cable Diagonal Bracing
Endwall: Left = Panel Shear
Right = Panel Shear
Sidewall: Front = Cable Diagonal Bracing
Back = Cable Diagonal Bracing

----- Factory Located Framed Openings -----

Factory Located Framed Openings:

Left Endwall : none
Front Sidewall : (2) 12 W x 10 H
Right Endwall : none
Back Sidewall : none

Canopies:

Left Endwall : none
Front Sidewall : 8 ft by 60 ft at 12 ft
Right Endwall : none
Back Sidewall : none

Canopy Soffit Panels (gauge, type, color): none

Gutters and Downspouts:

Front sidewall gutters(ft): none
Front sidewall downspouts: none
Back sidewall gutters(ft): none
Back sidewall downspouts: none

=====
ACCESSORY ITEMS
=====

Translucent Wall Panels: none

Translucent Roof Panels: none

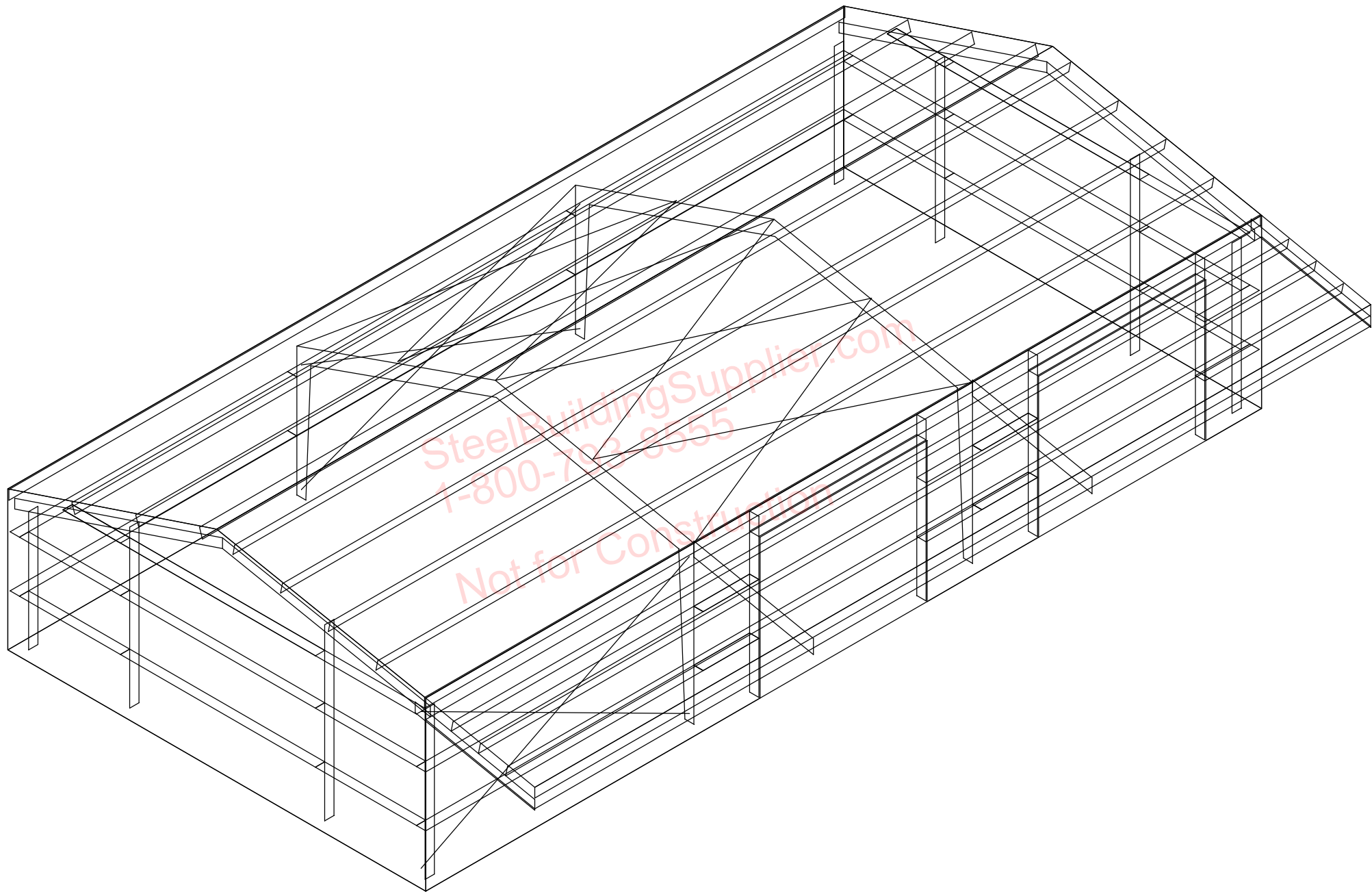
Liner Panels:

Left Endwall: none
Right Endwall: none
Front Sidewall: none
Back Sidewall: none

Insulation:

Roof: none
Wall: none

Delivered Weight: 14210.5 lbs



SteelBuildingSupplier.com
1-800-702-8555
Not for Construction

